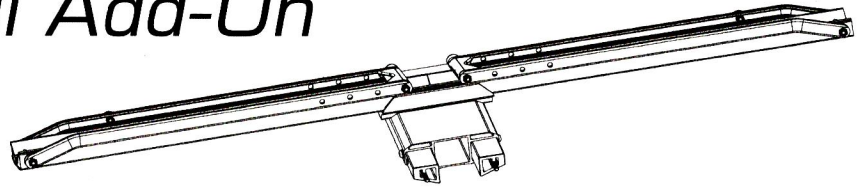




rockymounts™

51283_REV_E

GuideRail Add-On

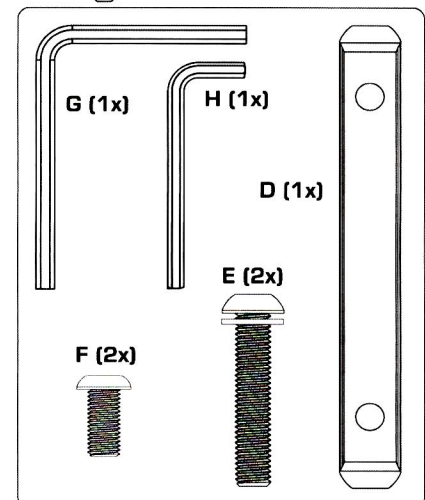
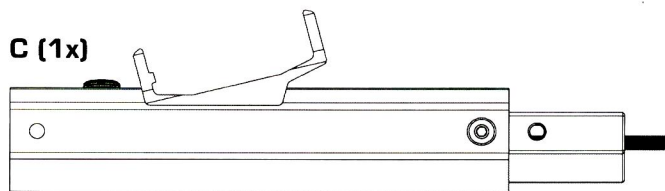
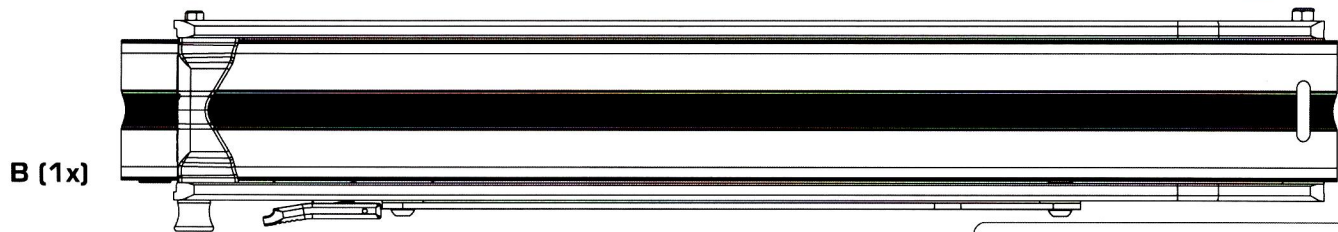


Guidelines

- Using the GuideRail Add-On reduces max weight per bicycle to 45lbs (20kg)
- Tire width 19mm road bike tires - 3.0" mountain bike tires
- Wheel Diameter: 20" - 29"
- Wheelbase: 36" - 55" (760mm - 1397mm)
- **Remove e-bike batteries, rear fenders, racks, and panniers before use**
- No kick bikes, recumbents, mopeds, scooters, penny farthings, or tandems
- Only compatible with GuideRail 2", **Not compatible with GuideRail 1.25" or AfterParty**

Parts Included

- | | |
|--------------------------|---------------------------|
| A: Wheel tray A | F: M8 x 16 BHCS |
| B: Wheel tray B | G: 6mm Allen wrench |
| C: Add-On Spine Assembly | H: 5mm Allen wrench |
| D: Wheel Tray Bar | I: Add-On chain extension |
| E: M10 x 50 FHCS | |

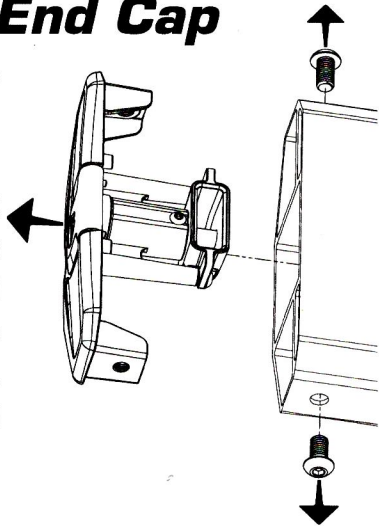


Read all warnings on last page before use.

rockymounts™

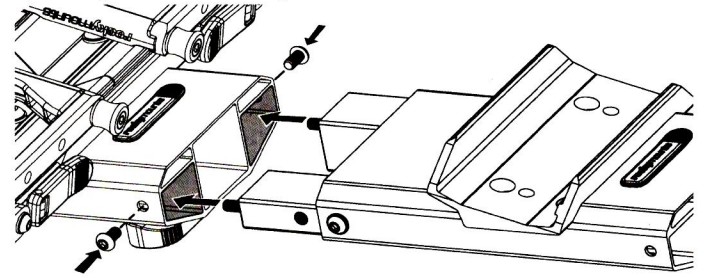
1 Remove End Cap

Remove the end cap from the main spine; Using 5mm Allen Key remove the 2x M8 x 16 BHCS bolts (Do not discard bolts) from the side of the Main Spine. Pull to remove End Cap



2 Insert Add-On

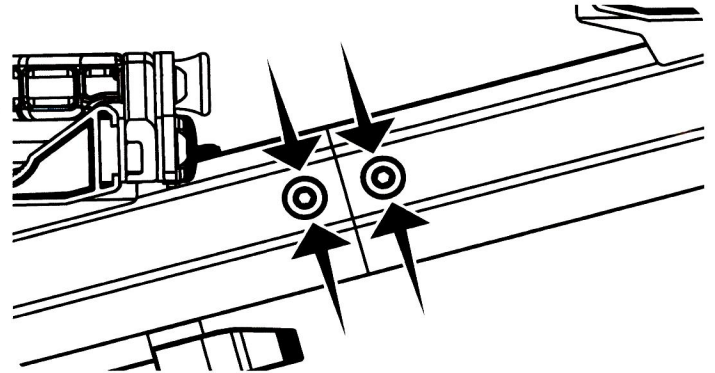
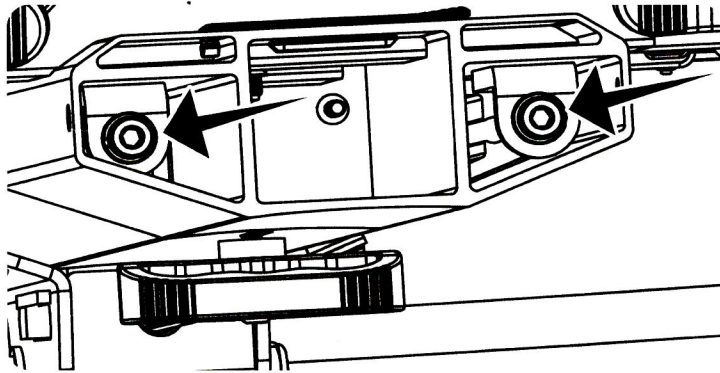
Insert add-on into the end of the main spine. LOOSELY install 2x M8 x 16 BHCS bolts (removed from the End Cap) into side of main spine (leave loose)



3 Secure Add-On

Using the 6mm Allen Key; First TIGHTEN the bolts inside the end on the Add-On

Finally using the 5mm Allen Key; TIGHTEN the 4x side bolts of the Main Spine and Add-On

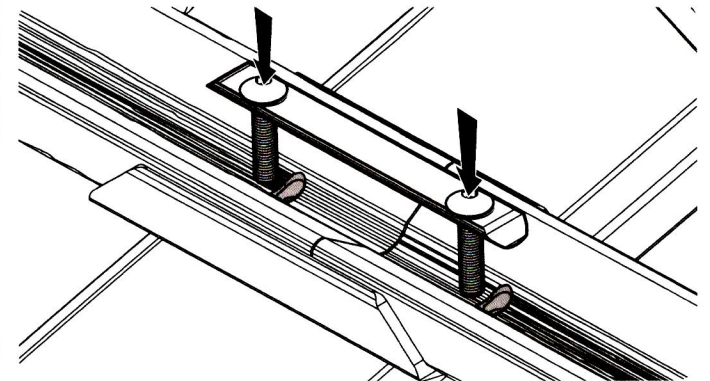
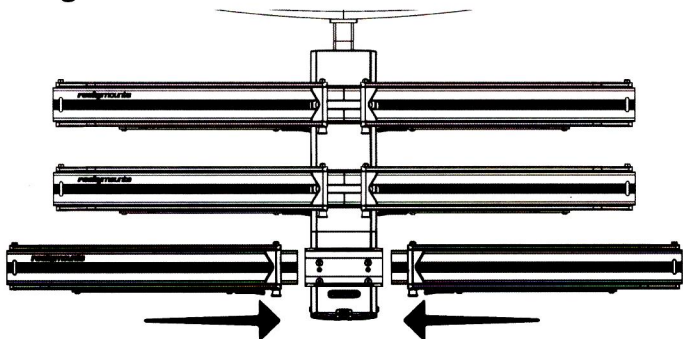


4 Install Wheel Tray

Slide 1x left and 1x Right Wheel Tray inside the inner spine bracket with release lever facing out

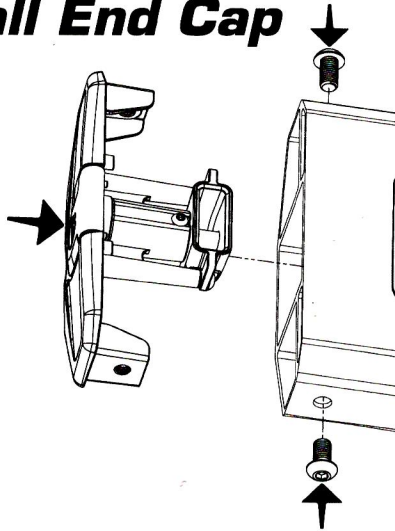
5 Secure Wheel Tray

Using the Wheel Tray Bar and 2x M10 x 50 bolts, securely attach wheel trays to spine



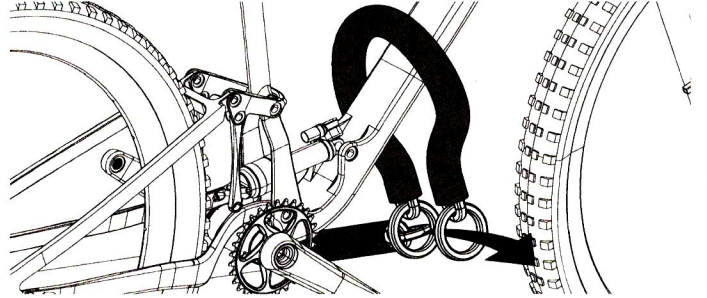
6 Re-Install End Cap

Install the End Cap in to the end of the Add-on using the 2x M8 x 16 BHCS bolts provided



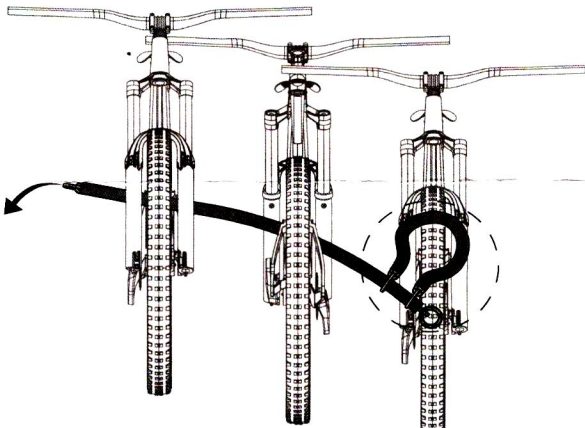
1 Loop Around Inside Bike

Loop the Chain Lock Extension around the bike closet to vehicle. Then pass the GuideRail Lock chain through both ends of the Add-On Chain Extension



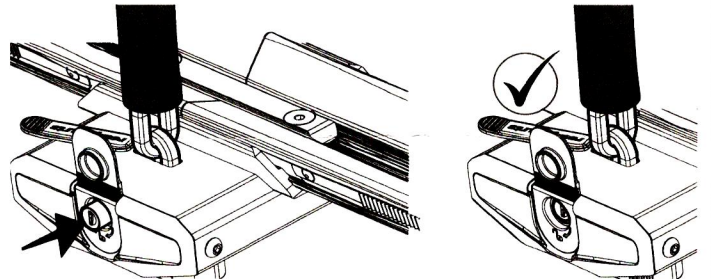
2 Pass Through Bikes

Pass the Lock Chain through outer bikes



3 Lock Bikes

With the chain inserted into the spine, push the lock until it clicks in place



! DO NOT USE WHILE TRAVELING
Can cause damage to frames due to road vibrations

Limited Lifetime Warranty

51283_REV_E

At RockyMounts we offer a Limited Lifetime Warranty for products purchased after January 1, 2014 to the original owner. For details of warranty, how to make a claim, and how to register your product; please see rockymounts.com/warranty

Warnings

- If a hitch extension is needed, only anti-wobble hitch extensions by RockyMounts should be used with this product
- Remove Baby Seats, Panniers, U-Locks, or items that could detach from the bicycle
- Do not use bicycle covers, bicycle bras, or bicycles equipped with aero disc wheel(s)
- Not intended for off road use or with trailers, towed vehicles, 1 ton pickups, RV's, or UHV/UTVs
- Bikes and rack can partially block license plate and/or taillights. Please check and adjust accordingly
- Check the car exhaust is not pointing at the rack, bike tires, or rims. Some vehicles may require exhaust diversion to avoid damage
- Do not transport bikes with flat or leaking front tires. Tires must be inflated for secure transport
- Hitch receivers require a minimum of Class II, III, IV rating and 1.5" (38mm) distance from hitch pin hole to end of receiver
- Locks are only deterrents for thieves, RockyMounts™ Inc. Cannot be held liable for stolen bicycles
- Check All Fasteners Before Each Use
- Remove Bikes and Rack Before Entering Car Wash, hand washing rack is OK
- Once a Year, Remove From Car to Clean and Inspect for Damage

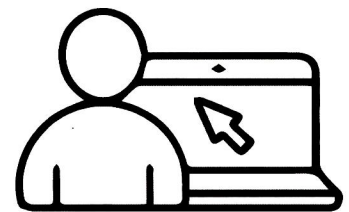
Technical Support

Please call us at 303-402-0190 or email at ride@rockymounts.com for questions regarding use, assembly, and support

Register Your Rack

Scan or Go Online

To Register your new RockyMounts™ either scan the QR code located on the product itself and the box, or go to www.rockymounts.com/register to fill out the form



Read all warnings on this page before use.

rockymounts™