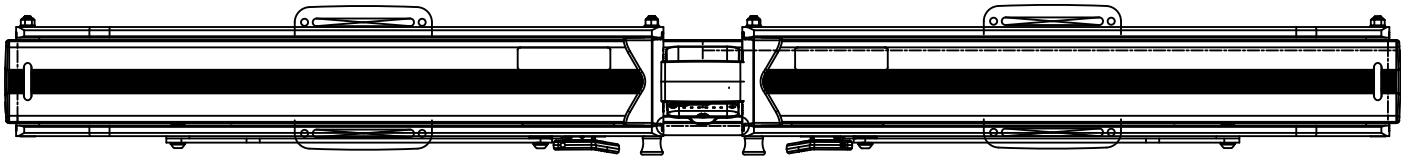


Guidelines:

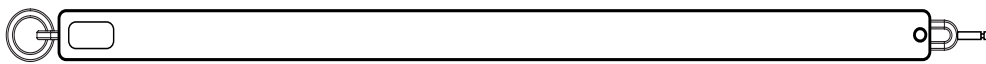
- Intended to work with square, round and aero crossbars
- Crossbar spread: 16" - 42" [406mm - 1067mm]
- Carries 1 bike, up to 40lbs [18kg] each
- Tire width 19mm road bike tires - 3.0" mountain bike tires
- Wheel Diameter: 20" - 29"
- Wheelbase: 36" - 55" [760mm - 1397mm]
- Remove rear fenders, racks, and panniers before use
- No kick bikes, recumbents, mopeds, scooters, penny farthings, or tandems
- For Aluminess applications please refer to SKU 12020

Parts Included:

- | | | | |
|---------------------|------------------------|-------------------------|--------------------------|
| A: Bike Tray (1x) | D: Bottom Bracket (4x) | G: M6 Washer (8x) | J: 6mm Allen Wrench (1x) |
| B: Chain Lock (1x) | E: M6 x 50mm Bolt (8x) | H: T30 Torx Wrench (1x) | K: Key (2x) |
| C: Top Bracket (4x) | F: M6 x 65mm Bolt (8x) | I: T40 Torx Wrench (1x) | |



A (1x)



B (1x)



C (4x)



D (4x)



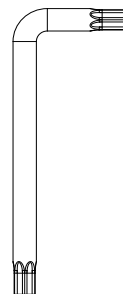
E (8x)



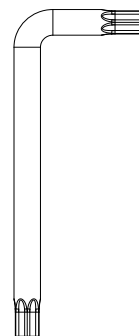
F (8x)



G (8x)



H (1x)



I (1x)



J (1x)

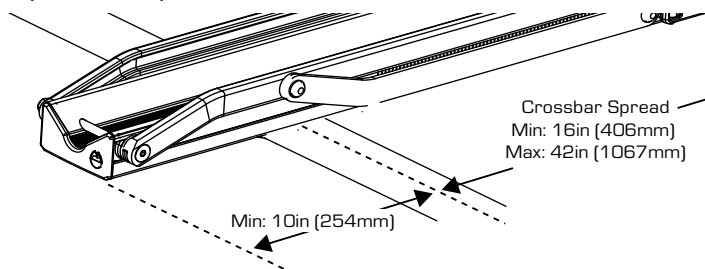
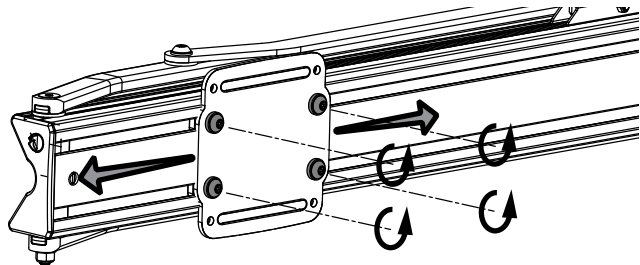


K (2x)

Assembly Instructions:

1 Position Mounting Plates

Loosen, but don't remove, the four M8 bolts on each mounting plate so they can slide in the track. With the blue levers facing outward, center the bike tray on the vehicles crossbars and align the mounting plates over them. Remove the bike tray and then securely tighten each M8 bolt (on both front and rear mounting plates) with the Torx wrench to lock the plates in place.

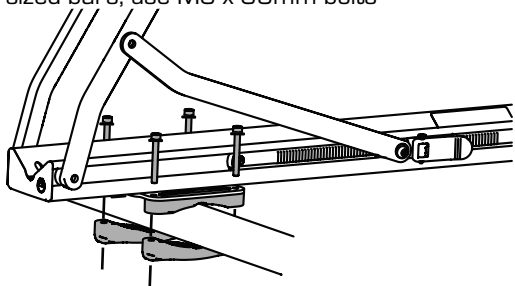


ATTENTION: Check clearance between open lift gate and bike tray. Minimum crossbar spread is 16" and max is 42". Mounting Plates must be positioned at least 10" from the end of the wheel tray.

2 Install Brackets

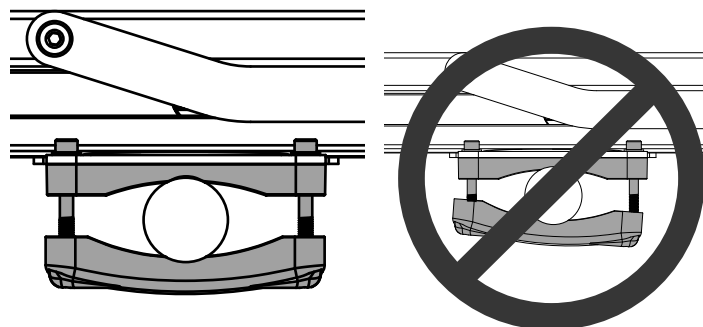
Place the top brackets between both mounting plates and crossbar. With the holes aligned insert M6 x 50mm bolts with washers and thread them into the bottom bracket beneath the crossbar, rotate the load arms if needed.

For oversized bars, use M6 x 65mm bolts



3 Secure Bike Tray

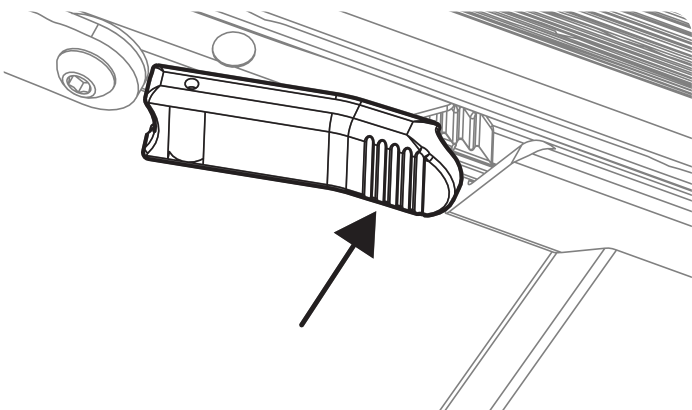
Position the tray and secure all four Mounting Brackets. Ensure that each bolt is evenly tightened.



Rack Operation

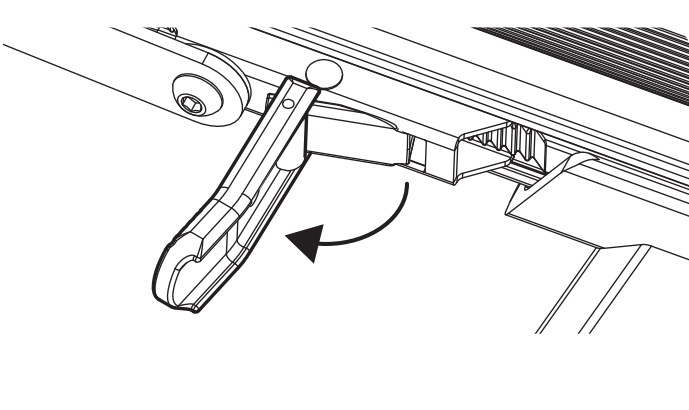
1 Operating Release Lever

Pushing on lever will temporarily disengage the load arms



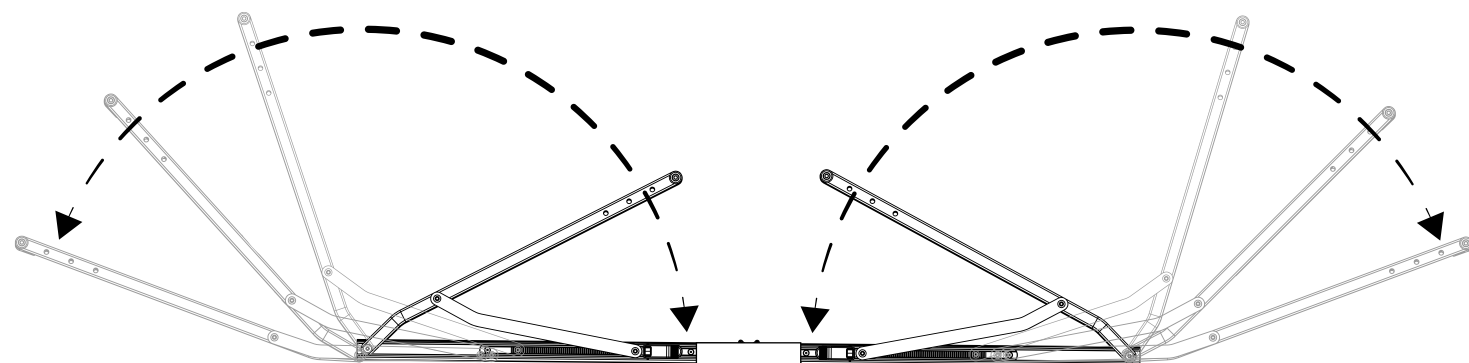
2 Operating Release Lever

Pulling lever 90° will keep load arms disengaged. Close lever to re-engage load arms



3 Opening / Closing Load-Arms

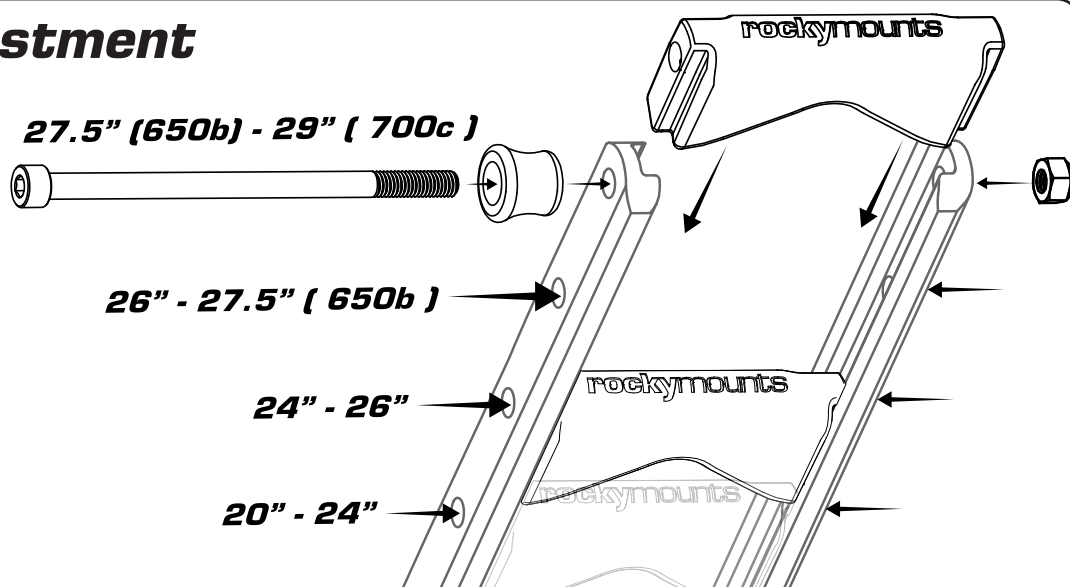
With the release lever disengaged, rotate the load arms to an open position. Engage the release lever to securely ratchet the load arms closed



4 Bridge Adjustment

Each load arm has an adjustable bridge.

The Bridge can be adjusted to better suit various bicycle wheel sizes by using a 6mm Allen wrench and a 13mm box wrench



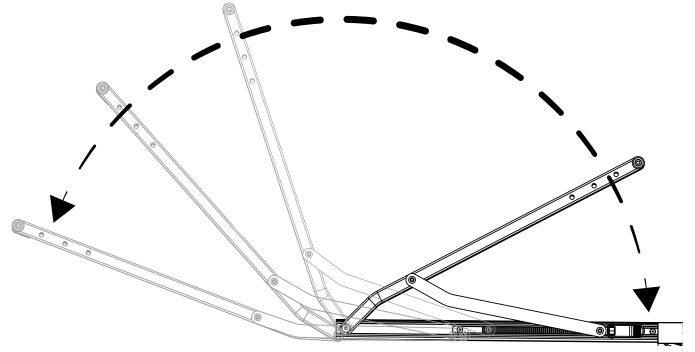
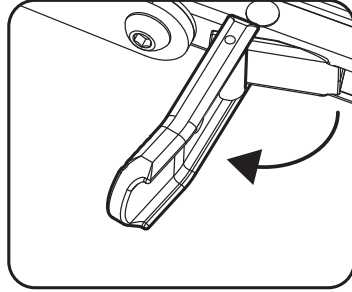
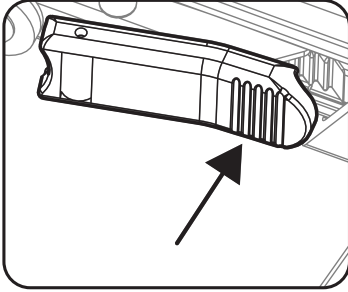
Read all warnings on last page before use.

rockymounts™

Loading Bikes

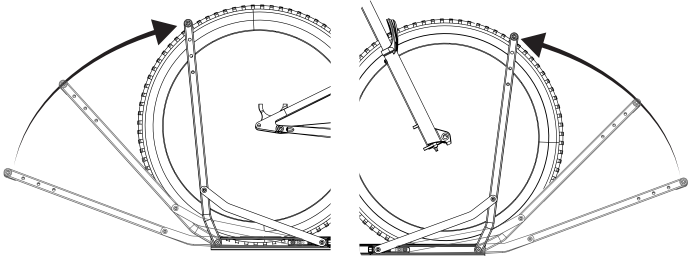
1 Prepare Wheel Tray

Disengage Load-Arm Triggers. Rotate open load arms. Re-engage Load-Arm Trigger in preparation for loading bicycle



2 Install bike

Load the bike onto the tray. Rotate the load arm onto the rear wheel of the bicycle (This will help support the bicycle) followed by the front wheel load arm



3 Secure bike

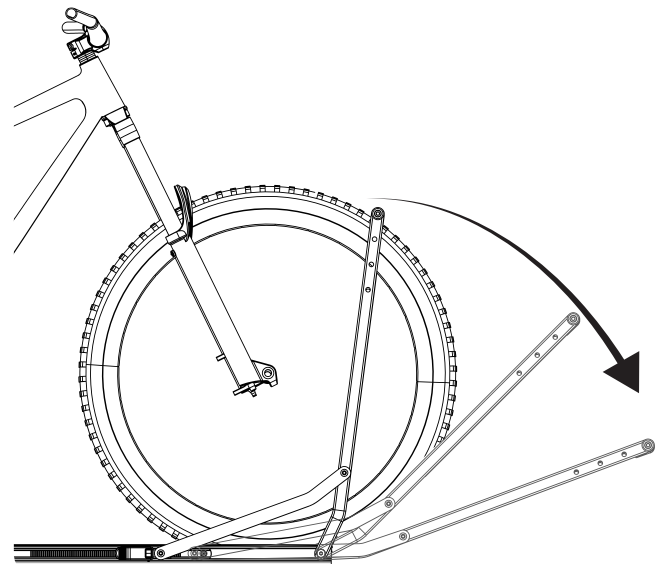
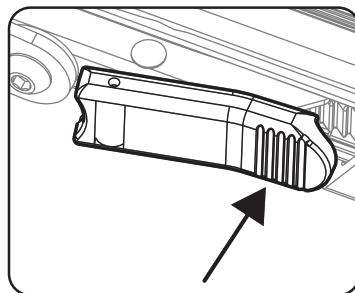
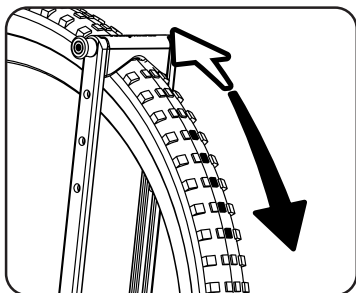
Compress both front and rear wheel load arm until bicycle is securely mounted on rack



4 Unloading Bikes

Disengage the ratchet by (1) compressing the load arms as (2) you push the release lever. (3) Then pull the load arms open releasing the bike

*DO NOT pull release lever when ratchet is under load



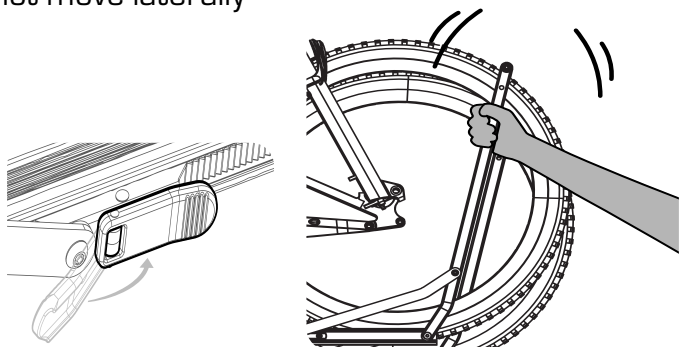
Read all warnings on last page before use.

rockymounts™

Before Travel

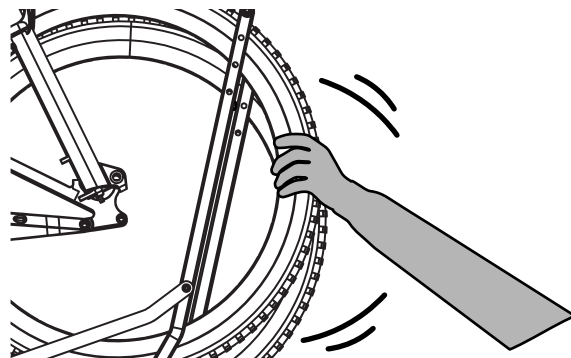
1 Check Rack

Before travel - Check that the release levers are closed and the load arms engaged and bike are securely installed onto rack. Load arms should not move laterally



2 Check Bikes

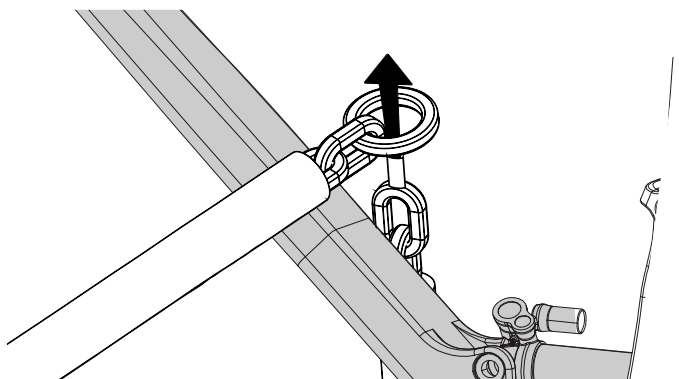
Before travel - Check the bikes are securely installed on to rack. Bikes should not move side to side



Locking Bikes

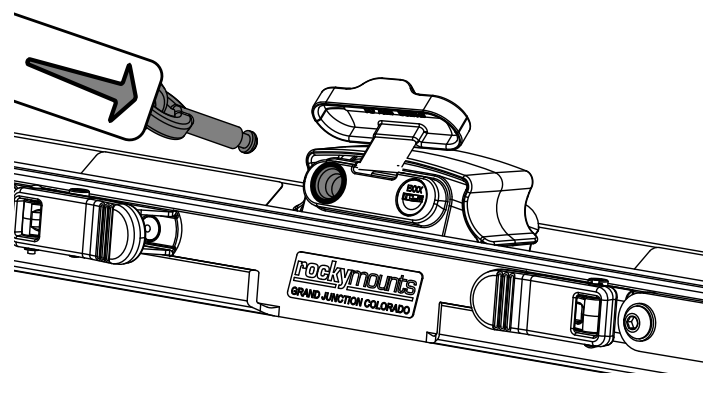
1 Loop Chain

Loop chain around bicycle frame then feed the linked end through the opposing looped end of chain



2 Lock Chain

Insert the Chain into the lock pod located in the center of the bike tray

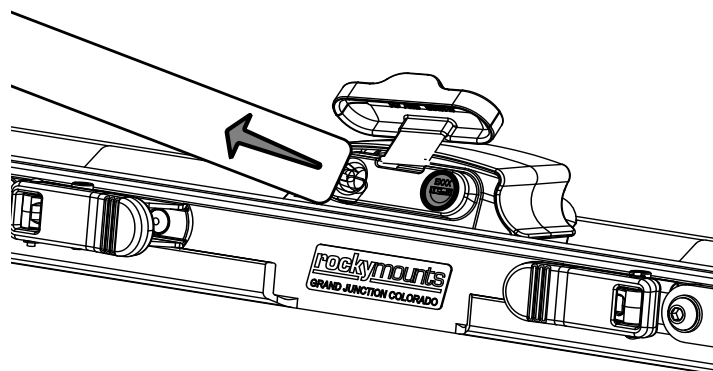


3 Remove Chain

To remove, insert key, turn key and pull chain out

Remove Chain Before Driving

Chain lock should only be used when the vehicle is parked, always remove chain before travel. Wind and road vibration on chain can possibly abraid and damage bicycle while driving. If you do drive with the lock in place, you may need additional padding around bicycle frame

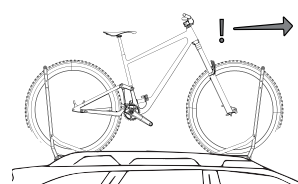


Warnings:

- Do not exceed the load capacity of your vehicle's roof rack
- Do not mount vertically
- Remove bikes and rack before entering car wash, hand washing rack is OK
- Remove baby seats, panniers, U-locks, or items that could detach from the bicycle
- Do not use bicycle covers, bicycle bras, or bicycles equipped with rear aero disc wheel(s)
- Not intended for off road use or with trailers, towed vehicles, 1 ton pickups, or UHV/UTVs
- Do not transport bikes with flat or leaking tires. Tires must be inflated for secure transport
- Locks are only deterrents for thieves, RockyMounts™ Inc. Cannot be held liable for stolen bicycles
- Check all fasteners before each use
- Once a year, remove from car to clean and inspect for damage

Check Height Clearance:

Vehicle height clearance is impacted when bicycles are loaded on rack. Use caution and avoid entering garages, drive-thrus, low overpasses or other low clearance scenarios when bikes are loaded.



Register Your Rack:

To register your new RockyMounts™ either scan the QR code located on the product itself and the box, or go to www.rockymounts.com/register to fill out the form.



Limited Lifetime Warranty:

At RockyMounts we offer a Limited Lifetime Warranty for products purchased after January 1, 2014 to the original owner. For details of warranty, how to make a claim, and how to register your product; please see www.rockymounts.com/warranty

Technical Support:

Please call use at (303) 402-0190 or email at ride@rockymounts.com for questions regarding use, assembly, and support